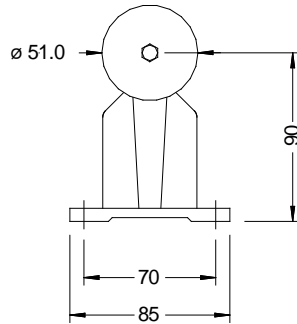
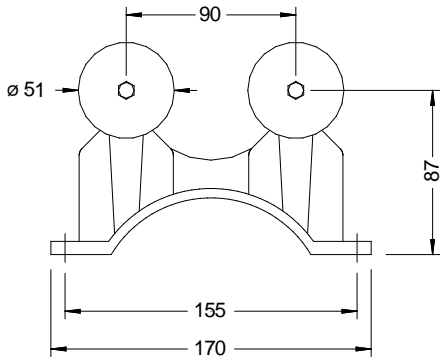




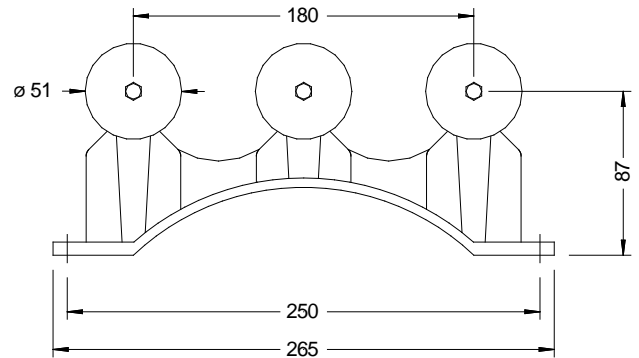
Tubular Heater Layout and Mounting



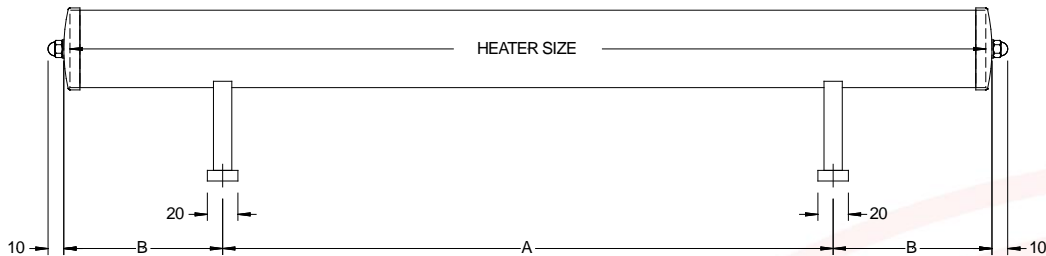
SINGLE TIER



DOUBLE TIER



TRIPLE TIER



The Tubular Heater mounting dimensions are outlined in the table below:

Heater Size (mm)	Dimension A (mm)	Dimension B (mm)	Total Heater Length (mm)
300	200	54	328
450	300	79	478
600	400	104	628
900	600	154	928
1200	800	204	1228
1500	1000	254	1528
1800	1200	304	1828
2100	1400	354	2128
2400	1600	404	2428